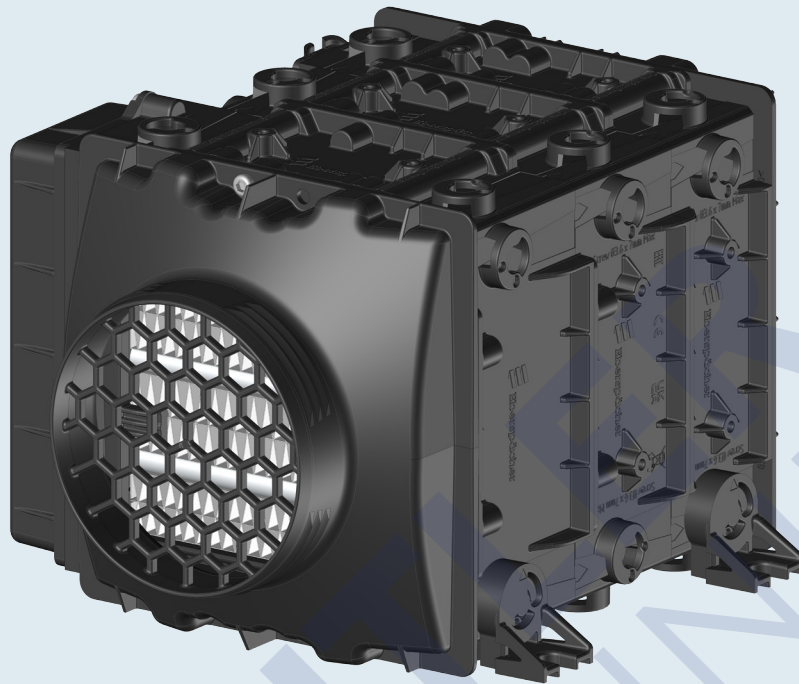


A WORLD OF COMFORT



EN/ASSEMBLY INSTRUCTIONS

E-AIRTRONIC EHV

MARKET SEGMENTS



CONSTRUCTION



AGRICULTURE/
FORESTRY



RV



PUBLIC SAFETY



UTILITY/CARGO



PERSONAL
TRANSPORT



AMBULANCE



MINICAR

1 PRIOR INFORMATION

1.1	Instructions for use	5
1.1.1	Intended Use	5
1.1.2	Unauthorised use	5
1.1.3	Caution	5
1.2	Installation instructions	5
1.3	Legal regulation	6
1.4	Type approval	7
1.5	CE declaration of conformity	7
1.6	UKCA declaration of conformity	7
1.7	Declaration of conformity other standards	7
1.8	Cleaning and maintenance instructions	7
1.9	Note on environmental protection	7
1.10	Technical support	7

2 GLOSSARY

3 LIST OF EQUIPMENT CONCERNED

4 PRODUCT INFORMATION

4.1	Overview	8
4.2	Additional suction and air diffusion accessories (order separately)	9
4.3	Technical data	9

5 MAIN DIMENSIONS

5.1	E-AIRTRONIC 230V.	10
5.2	E-AIRTRONIC 110V.	10
5.3	ED1 front face	11
5.4	ED4 front face	11
5.5	Grid	11

6 INSTALLATION

6.1	Operating position	12
6.2	Fastening	12
6.2.1	Fixing by screw	12
6.2.2	Fixing by brackets	12
6.3	Diffusion and suction faces	13
6.4	Footprint	14
6.5	Diffusion and aspiration	14
6.6	Filter Access	14
6.7	Electrical connection	14
6.7.1	Fan connection	14
6.7.2	Supply probe connection	15
6.7.3	PTC resistor control connection (12V)	15
6.7.4	Power connection PTC resistor (230V)	15
6.7.5	Power connection PTC resistor (110V)	15
6.8	Electrical installation	15
6.9	Electrical diagram	17
6.10	Command	18
6.10.1	Manual control	18
6.10.2	Automatic control	18

7 MAINTENANCE

8 REPAIR

9 CE - DECLARATION OF CONFORMITY & DECLARATION OF INCORPORATION OF A QUASI-MACHINE

10 UKCA - DECLARATION OF CONFORMITY & DECLARATION OF INCORPORATION OF A QUASI-MACHINE

BUTLER
TECHNIK

Refer to the safety information sheet supplied with the product, and to the risks and preventive measures indicated in the form of pictograms.

1 Prior information

1.1 Instructions for use

This document contains information necessary to operate your equipment.
Please print and store this documentation in a safe place for future reference.

1.1.1 Intended Use

Eberspächer Kalori equipment is designed to ventilate, pressurize, heat and/or cool passenger compartments and cabins, or to defrost the windscreen and windows of the vehicle.

The equipment is intended for professional use in L, M, N, O, T, C, R and S vehicles and in machines such as construction engineering machines, forestry machines, handling machines, tower cranes, mining machines or airport vehicles.

For all other professional uses, the installation must be carried out by a professional installer, who verifies that the equipment corresponds to the application.

The appliance is intended for the comfort of the interior. In no case does it guarantee the survival of the user in extreme conditions. Under these conditions, appropriate measures must be taken by the user. Vehicle temperature control cannot be guaranteed in ventilation only mode.

1.1.2 Unauthorised use

Modification of the equipment is strictly prohibited. Any unintended use and any other use of the equipment beyond or different from the intended use is considered to be misuse. The warranty becomes null and void and Eberspächer Kalori is no longer liable.

This product is not intended for domestic use.

Eberspächer Kalori equipment is designed for standard use on special vehicles or off-road machines.

They are not intended to operate continuously or in a very increased manner, neither for air conditioning, nor for heating of dwellings, garage or containers.

1.1.3 Caution

• Europe

This equipment can be used by children from the age of 8 years and by persons with reduced physical, sensory or mental capabilities or lack of experience or knowledge if they are given adequate supervision or instructions for safe use of the appliance and if the hazards involved are understood. Children should not play with the appliance. Cleaning and maintenance by the user must not be carried out by children without supervision.

Children under the age of 3 should be kept at a distance unless they are under continuous supervision.

Children between the ages of 3 and 8 should only switch the equipment on or off, provided that the equipment has been placed or installed in a normal intended position and that such children have been given supervision or instruction regarding the safe use of the equipment and understand the potential hazards. Children between the ages of 3 and 8 should not connect, adjust, clean, or perform user maintenance.

Caution, parts of this product may become very hot and cause burns. Special attention must be paid to children and vulnerable people.

• Outside Europe

This appliance is not intended for use by persons (including children) with reduced physical, sensory or mental capabilities, or lack of experience and knowledge, unless they have been given supervision or instruction concerning use of the appliance by a person responsible for their safety.

Children should be supervised to ensure that they do not play with the appliance.

Caution, parts of this product may become very hot and cause burns. Special attention must be paid to children and vulnerable people.

1.2 Installation instructions

Failure to comply with the warnings and safety instructions invalidates the warranty and means that Eberspächer Kalori cannot be held liable.

Installation must be carried out by qualified personnel.

The installation must comply with the instructions given by the vehicle manufacturer.

The equipment must not be installed and used:

- in extremely dusty environments
- in an aggressive environment

- in the event of excessive vibrations of the machine or the vehicle
- in a way that does not comply with the regulations in force
- without full or partial compliance with the operating or assembly instructions
- without maintenance and/or use of original spare parts
- in such a way as to damage its environment
- so as not to be damaged by the environment.

Do not insert objects into the equipment.

The equipment should not be installed higher than 1.80m.

The equipment may be installed in a closet or other enclosed environment provided the installation instructions are followed.

The equipment must not be installed in a humid environment (bathroom type) and must be protected from liquids.

To prevent overheating, do not cover the heater.

The equipment should not be placed directly below a power outlet.

The equipment should only be installed in the position indicated in the instruction manual.

The installation of this equipment in the vehicle or machine must ensure that it is protected against reasonably foreseeable impacts (e.g. kicking, etc.).

To reduce the risk of fire, the air outlet of the equipment must be at least 1m away from textiles, curtains or other flammable materials.

The installation, use and maintenance of the equipment must comply with the regulations in force in the country of use.

This equipment cannot be operated alone and must be supplemented by other components such as a diffuser, a control panel.

The equipment should be stored in a dry place.

Electrical parts that are not sealed must be protected against water and dust.

The equipment must be installed with an air filter upstream.

Ensure that all electrical components involved in the installation of the equipment are correctly sized.

Complete the electrical connections necessary for the wiring of the equipment, carefully following the instructions in the manual. Provide electrical protection upstream of the equipment.

This appliance is Class II (double electrical insulation) and therefore does not need to be grounded.

Electrical protections (disconnecting device, fuses) are not supplied with the equipment.

When integrating, ensure that no objects can be inserted into the equipment.

When integrating, check that the new air supply complies with the applicable regulations.

Dual voltage equipment must be powered by 2 different power sources. 12Vdc and 24Vdc products must be powered by batteries.

A means of disconnection from the mains supply must be provided on the vehicle or machine wiring harness in accordance with the installation regulations. This disconnecting device must conform to an IEC product standard specific to this device, which meets the disconnecting and appropriate use category and/or specified endurance requirements as defined in the product standard.

The means of disconnection from the mains must be suitable for category III surges and specific to the equipment and must be provided in the fixed pipes according to the installation rules.

If the mains cable is damaged, it must be replaced by the manufacturer, its service personnel or similarly qualified persons in order to avoid a hazard.

Before accessing the attachment connection terminals, all power supply circuits must be disconnected.

Equipment must be transported in its original packaging. Precautions must be taken to avoid shocks during transport and handling.

Power cables upstream of the equipment should be clamped.

This equipment is intended for indoor mounting and must not be subjected to weather or dust.

When integrating the equipment, ensure that the user cannot close all the diffusion and suction outlets.

A smoke detection means is recommended.

1.3 Legal regulation

Legal regulations are mandatory and must also be complied with in countries where there are no special regulations.

The manufacturer follows a policy of continuous development and, in this respect, reserves the right to make changes and improvements to the documentation and equipment without prior notice.

Compliance with legal provisions and all instructions and instructions contained in this document, as well as with the safety information supplied with the product, is a prerequisite to any warranty

and liability claim.

Repairs by unauthorized third parties and/or with non-original spare parts are not permitted. This will result in the expiration of the equipment approval and may result in the expiration of the vehicle or machine operating license.

1.4 Type approval

We hereby declare that the version of the product that we are placing on the market is R10 and R122 approved.

Approval number R10: E2_10R_24143.

Approval number R122: E2_122R_24137.

1.5 CE declaration of conformity

We hereby declare that the version of the product we are placing on the market complies with the applicable provisions of the following European directives:

- CEM Directive 2014/30/EU



- Machinery Directive 2006/42/CE

1.6 UKCA declaration of conformity

We hereby declare that the version of the product we are placing on the market complies with the applicable provisions of the following UKCA directives:

- The Electromagnetic Compatibility Regulations 2016
- The Supply of Machinery (Safety) Regulations 2008



1.7 Declaration of conformity other standards

We hereby declare that the version of the product we are placing on the market complies with the applicable provisions of IECC 60335-1 and 60335-2-30

1.8 Cleaning and maintenance instructions

Wash with a damp cloth after disconnecting the unit from its power source.

1.9 Note on environmental protection



WEEE Directive 2012/19/EU

Electrical and electronic devices should not be disposed of with household waste. Consumers are required by law to return electrical and electronic equipment at the end of its life to the public collection points provided for this purpose or to the point of sale.

The details of this obligation are defined by the national legislation of the country concerned. The symbol on the product, the instruction manual or the packaging indicates that a product is subject to these regulations.

1.10 Technical support

If you have any technical questions or problems with the equipment, please contact your dealer.

2 Glossary

EHV	Fan/PTC elements
G	Equipment with diffusion grid
D	Equipment with 1-outlet diffuser face
D4	Equipment with 4-outlet diffuser face
F	Equipment with integrated air filter
ED1	Diffusion face 1 outlets Ø90
ED4	Diffusion face 4 outlets Ø55

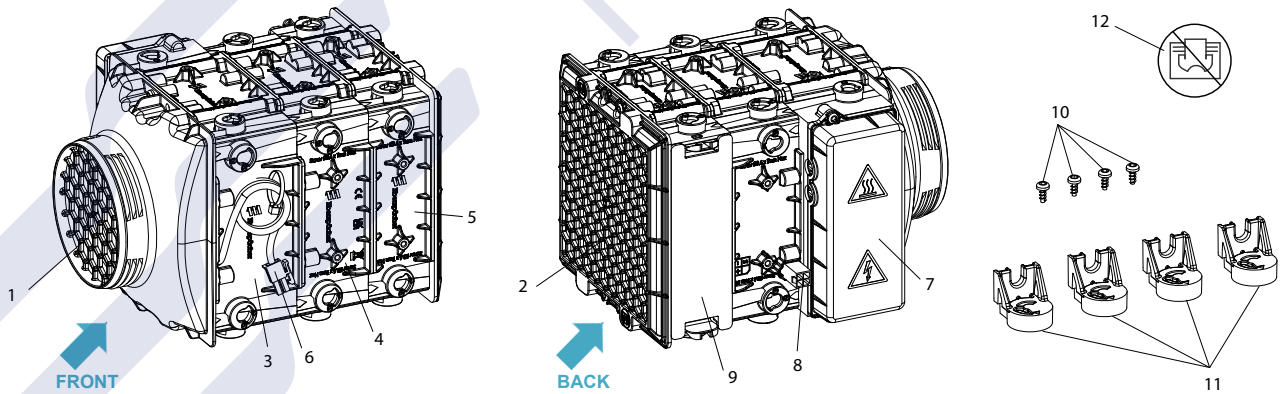
3 List of equipment concerned

If your equipment is not described in the table below, please contact your dealer for specific documentation.
The attached installation manual is for the following part numbers:

Part number	Description	Type	Ventilation voltage		PTC resistance voltage		Suction		Diffusion		Filter
			12V	24V	110VAC	230VAC	Grid	ED1 front	Grid	ED1 front	
8300 12042001	E-AIRTRONIC EHV1 230V GDF	EHV	●	●		●	●			●	●
8300 12042004	E-AIRTRONIC EHV1 110V GDF	EHV	●	●	●		●			●	●

4 Product information

4.1 Overview

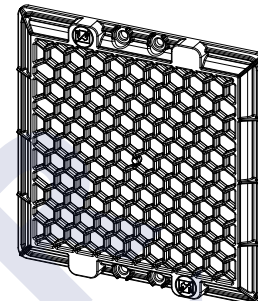
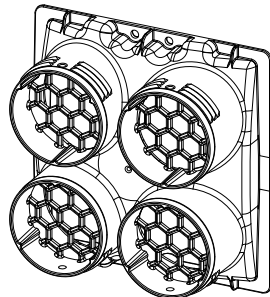
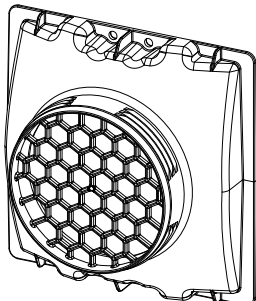


No	Description	No	Description
1	Air diffusion	7	PTC resistor connection access cover
2	Air suction	8	Fan connector
3	PTC resistor module	9	Filter access cover
4	Fan module	10	Plastic screw Ø3.5x8mm
5	Filter module	11	Mounting brackets
6	Blowout probe connector	12	"Do not cover" sticker

4.2 Additional suction and air diffusion accessories (order separately)

The product comes with a suction grid and a ED1 diffusion face. These elements can be replaced according to the installation configurations (instructions in paragraph 6.3).

Additional faces/grids can be ordered separately.



ED1 front face

ED4 front face

Grid

4.3 Technical data

MODEL	830012042001	830012042004
Heating capacity (+/-20%)	1 kW - 3412 BTU/hr	
Air flow	100 m ³ /h - 59 CFM	
Nominal voltage - fan (+/-10%)	12VDC	
Max. Fan consumption ⁽¹⁾	11W	
Nominal voltage - PTC resistor ⁽²⁾	230VAC	110VAC
Max consumption - PTC resistance (+/-20%) ⁽¹⁾	1000W	
Inrush current - PTC resistance	See note (1) below	
Operating temperature range ⁽⁴⁾	-20 / +40°C [-4 / +104°F]	
Storage temperature range	-30 / +70°C [-22 / +158°F]	
Fan fuse ⁽³⁾	2A	
Weight	1.45 kg - 3.197 lbs	

(1) Inrush current can vary from 1 to 10 times the rated current of the product depending on integration and operating conditions. To be checked on the vehicle.

(2) refer to the product identification label for specific technical data for your equipment.

(3) Must be checked following vehicle installation.

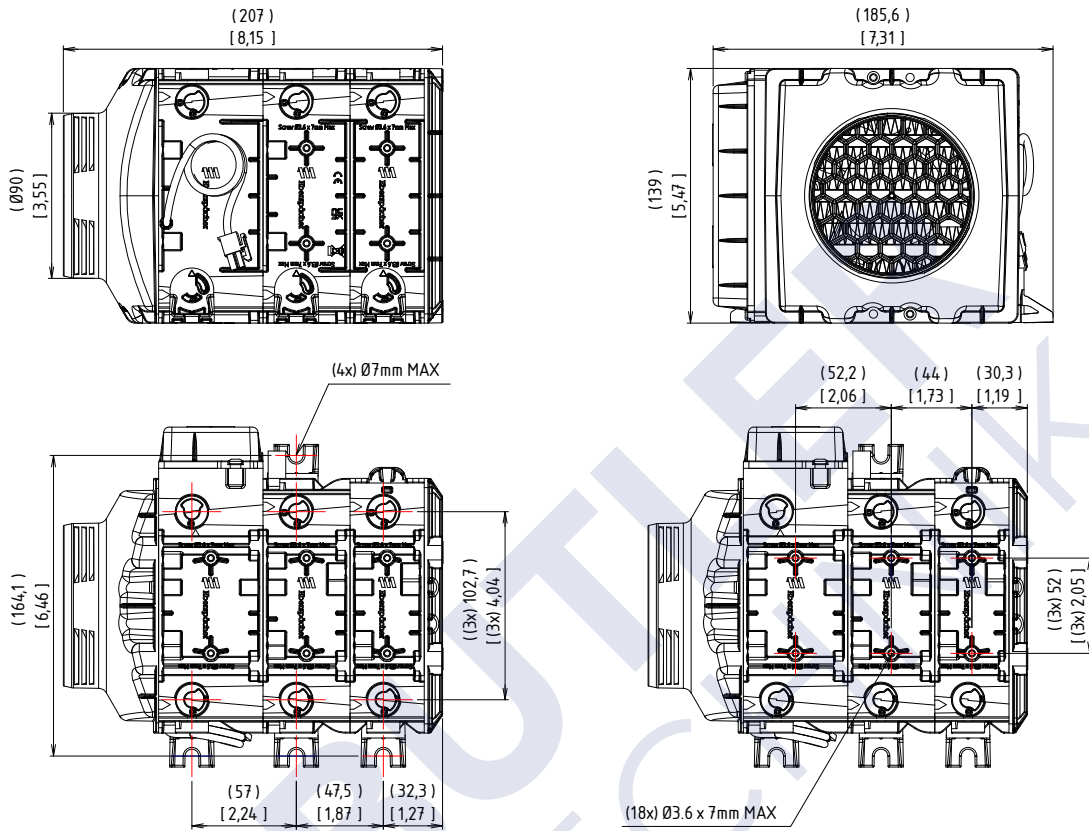
(4) a suction temperature of 40°C may result in a blowing temperature of >150°C.

Use of the equipment outside the specified technical data may result in malfunctions.

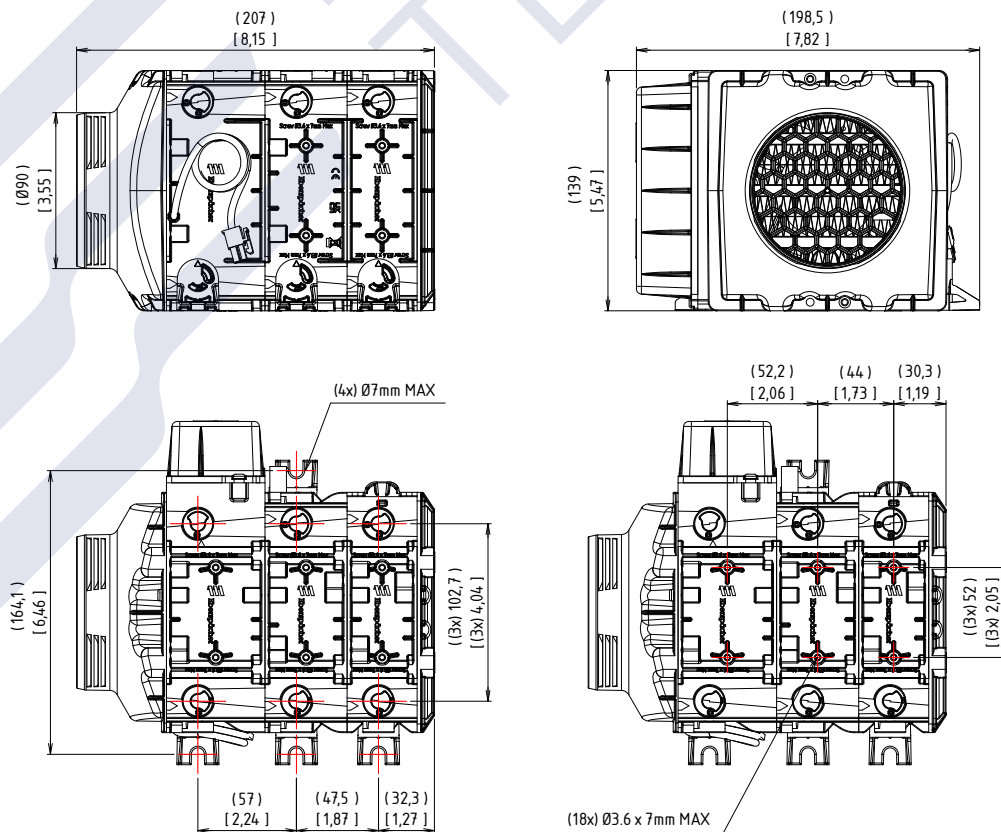
The technical data must be observed at all times.

5 Main Dimensions

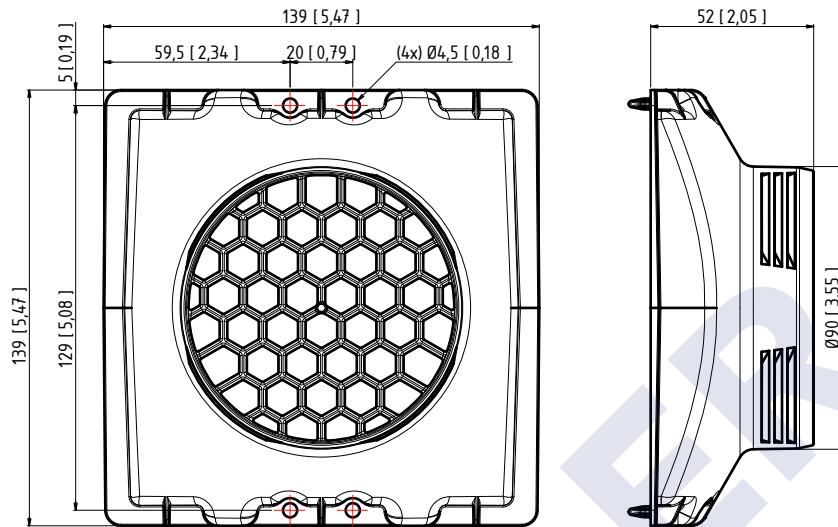
5.1 E-AIRTRONIC 230V.



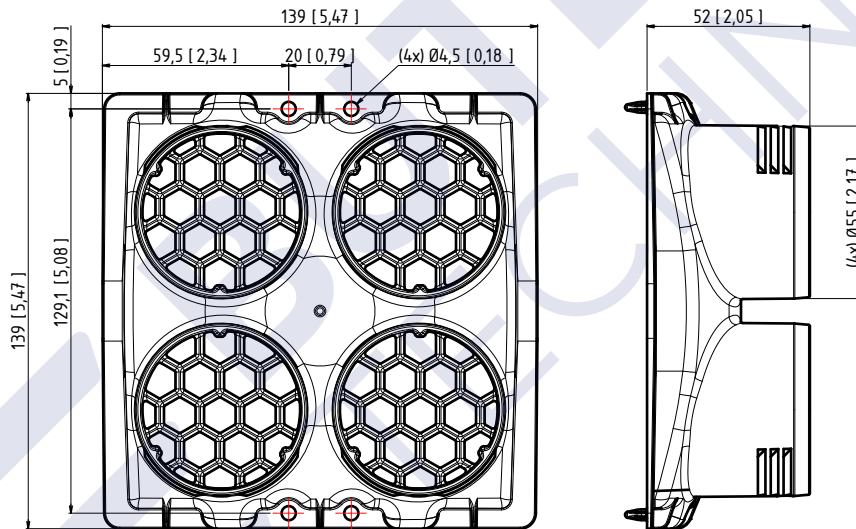
5.2 E-AIRTRONIC 110V.



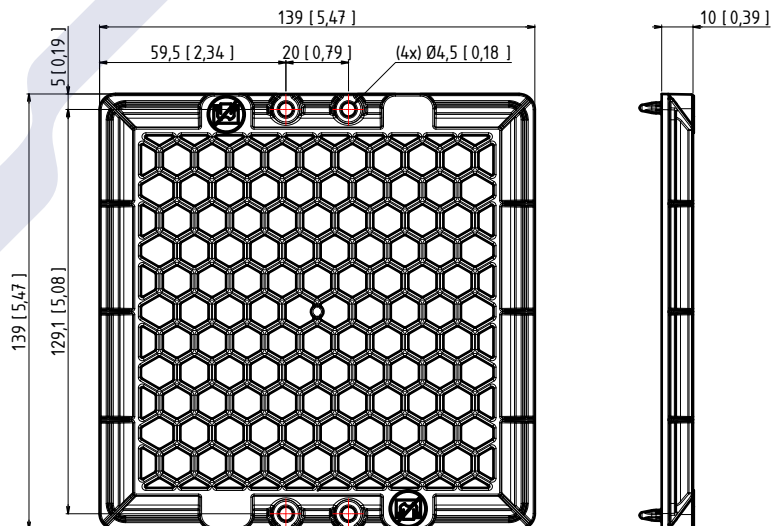
5.3 ED1 front face



5.4 ED4 front face



5.5 Grid



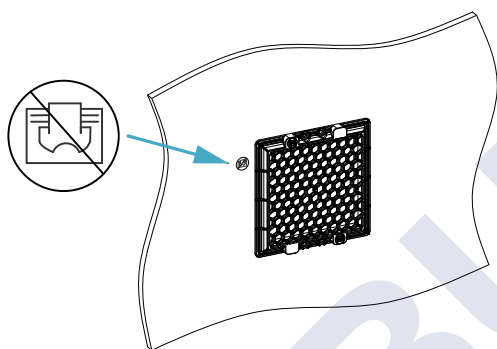
6 Installation

Apart from the mounting brackets, installation material is not included in the supply. Mounting accessories can be ordered separately.

Provide sufficient intake area so as not to impair the equipment's airflow.

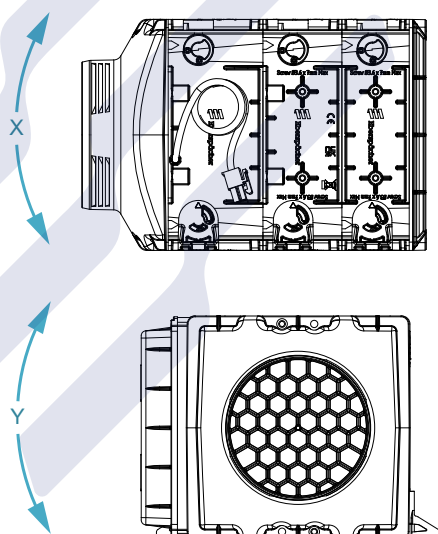
When installing, observe the following guidelines, which are valid for example for installation in a closet or other location:

- The product must not be installed in a humid environment (bathroom type) and must be protected from liquids.
- The product cannot be serialized with an Airtronic.
- Do not block the air inlet or outlet.
- During all operations, handle the product with care to avoid any risk of dropping or damaging it. In the event of a fall, contact your dealer.



A sticker "do not cover because there is a risk of overheating" is delivered with the product. It must be placed close to the air diffusion

6.1 Operating position

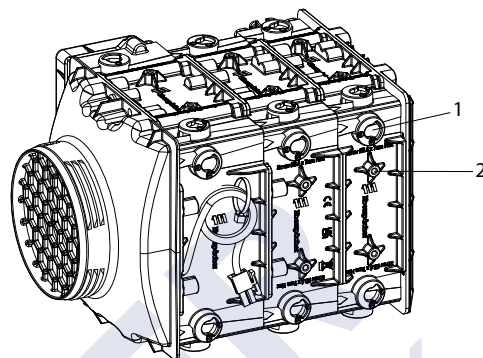


Maximum angle of use

X-axis	360°
Y-axis	360°
Z-axis	360°

6.2 Fastening

In order to secure it, the E-AIRTRONIC has:

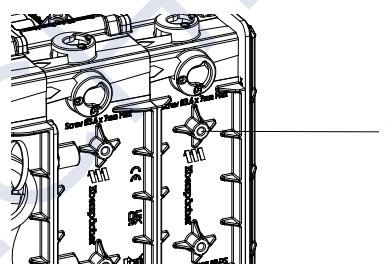


Type of attachment

20 clips (1) for fixing brackets (2 on each module face except PTC resistor and filter)

18 screw-in plastic bosses (2) for direct fixing (2 on each module face except PTC resistor and filter)

6.2.1 Fixing by screw



Type of attachment

Torque (Nm)

Plastic screws Ø3,5x8

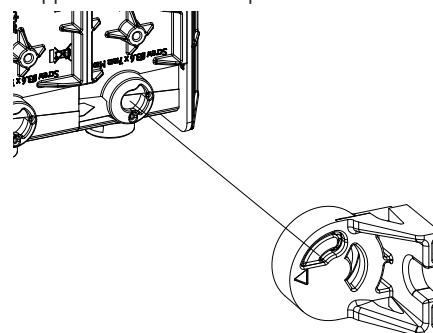
1

Screws are supplied with the product.

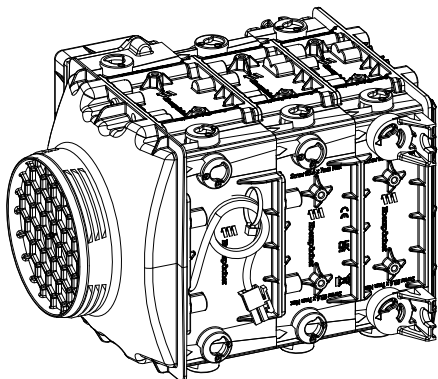
Caution: In the case where the installation involves the use of other screws, it is imperative to respect a maximum length in the plastic bosses of 7 mm.

6.2.2 Fixing by brackets

Attach the supplied brackets to the product.

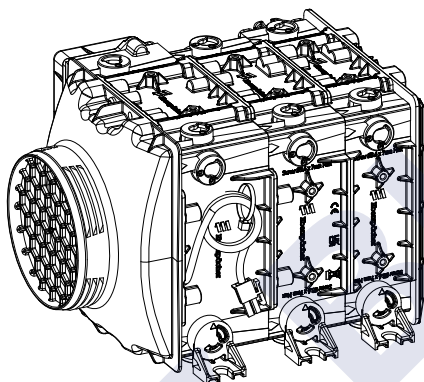


For front panel mounting, rotate through 180° (the underside must rest on the ground).



Type of attachment	Torque (Nm)
Ø7 MAX flat head screw + washer	5

For floor mounting, rotate through 90°.



Type of attachment	Torque (Nm)
Ø7 MAX flat head screw + washer	5

The use of countersunk screws for fixing with angle brackets is prohibited.

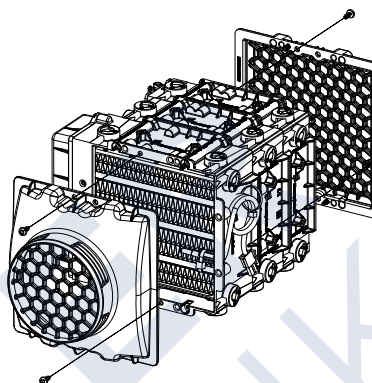
Insufficient bolt quality or too low or too high a torque can have a negative effect on the equipment.

The number of attachment points to be used depends on the conditions under which the equipment will be used.

6.3 Diffusion and suction faces

To change the aspiration or diffusion of the product:

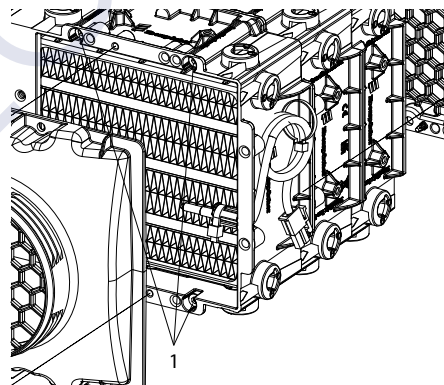
- Remove the front/rear face (screws visible).
- Retain the removed screws.
- Screw in the new face.



Type of attachment	Torque (Nm)
Ø3.5x8 bolts	1

Too low or too high a torque can have a negative effect on the implement.

Caution: Do not remove the 4 screws that assemble the complete product. In case of disassembly, the warranty becomes void.



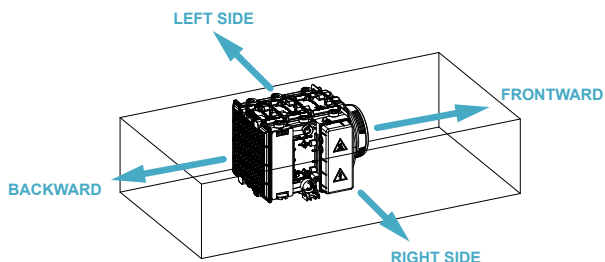
No	Description
1	Do not remove screws

The product must not operate without the suction side and the diffusion side.
 Installation of the grill as a direct outlet from the appliance is prohibited. If the user wishes to have a grid on the diffusion side, he must use sheaths to offset the output (refer to paragraph 6.5).

6.4 Footprint

The shortest distance allowed between the outlet of the heater and the interior surfaces of the motor vehicle or any other obstacle is 20cm.

The shortest distance allowed between the entrance of the heater and the interior surfaces of the motor vehicle or any other obstacle is 20 cm.



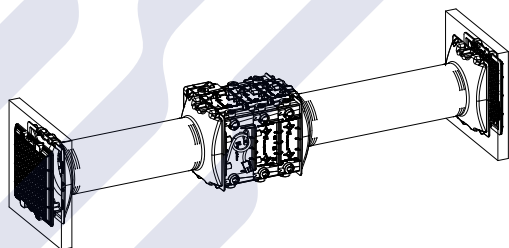
Steering	Minimum distance required
Frontward	20 cm
Backward	20 cm
Right side	15 cm (recommended for filter access)
Left side	0 cm

6.5 Diffusion and aspiration

The user can decide to have air inlets and outlets remote from the heater.

In order to connect the E-Airtronic to the different faces, the user must use sheaths and/or plastic accessories.

Air circulation equipment is not included in the supply.

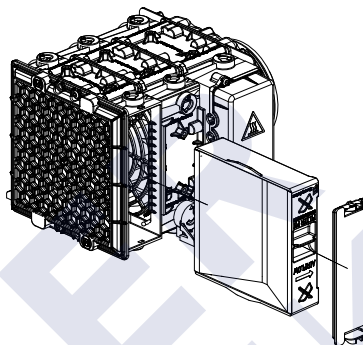


Do not reduce the air section surfaces already existing (65 cm²) on the product, both on the suction part and on the diffusion part. The sheath length at diffusion must be 10cm minimum

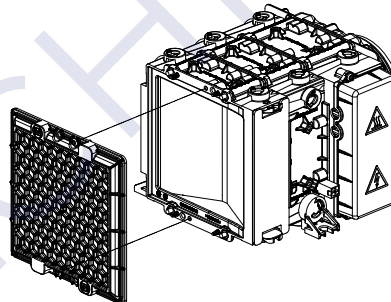
6.6 Filter Access

Provide/allow access to the filter for cleaning and maintenance.

Installation allowing access to the filter through the hatch possible: Remove the filter through the hatch, clean the filter and replace the filter and hatch.

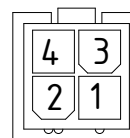


Installation that does not allow access to the filter through the hatch and involves access through the suction grid: Remove the grid, suck up any impurities retained by the filter and replace the grid.



6.7 Electrical connection

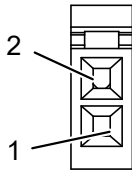
6.7.1 Fan connection



Opposite connector Molex 39-01-2040 - P/N 830034015273

No	Description
1	0-5V signal
2	-
3	Ground
4	+12V

6.7.2 Supply probe connection

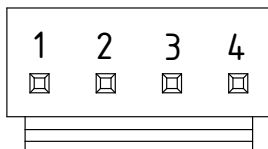


Opposite Molex connector 50-36-1678 - P/N 830034005719

No	Description
1	Probe input
2	Probe output

Must be connected either with the KANBOX or with the control harness kit (instructions in paragraph 6.10.1).

6.7.3 PTC resistor control connection (12V)

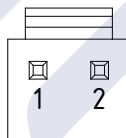


Opposite connector JST VHR-4N - P/N 830034035077

No	Description
1	P1+ (+12V power 1/3)
2	P1- (Power ground 1/3)
3	P2- (power ground 2/3)
4	P2+ (+12V power 2/3)

6.7.4 Power connection PTC resistor (230V)

The power supply cable of the PTC resistor must be a polychloroprene sheathed cable.

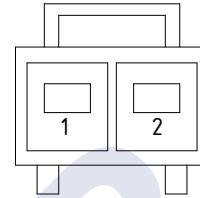


Opposite connector JST VHR-2N - P/N 830034035076

No	Description
1	N (Neutral)
2	L (Phase)

6.7.5 Power connection PTC resistor (110V)

The power supply cable of the PTC resistor must be a polychloroprene sheathed cable.



JST VLP-02V opposed connector - P/N 830034035080

No	Description
1	N (Neutral)
2	L (Phase)

6.8 Electrical installation

This appliance is Class II (double electrical insulation) and therefore does not need to be grounded.

Wear guards must be installed in accordance with the applicable regulations (of the country concerned).

The electrical installation must be carried out or at least checked by a professional.

The PTC resistor must not be activated without ventilation.

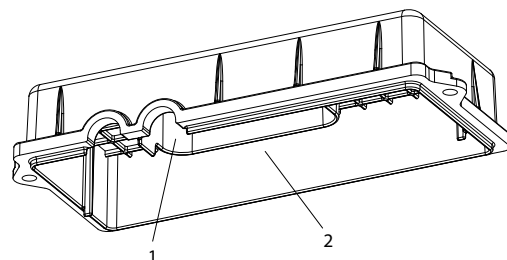
Before accessing the connecting terminals, all power supply circuits must be disconnected.

A means of disconnection from the supply network must be provided in the fixed pipes in accordance with the installation rules.

If the power cable is damaged, it must be replaced with a special cable or set available from the manufacturer or its service department.

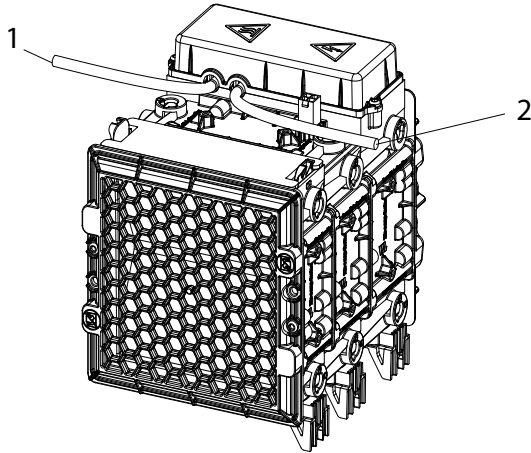
The power supply cables of the PTC resistor of the device must be polychloroprene sheathed cables.

Inside the unit, the control (12V) and power (230V / 110V) connections are physically separated by a rib in the cover of the PTC resistor.



No	Description
1	Control connection compartment (12V)
2	Power connection compartment (230V / 110V)

The power cable (230V or 110V) and the control cable (12V) must not route together.



No	Description
1	Cable 230V / 110V
2	12V cable

In case the user makes his beam himself, the recommended sections are:

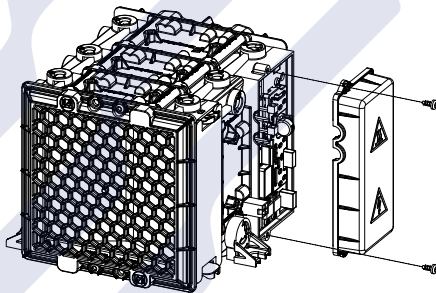
1mm² for the 230V.

1.5mm² for the 110V.

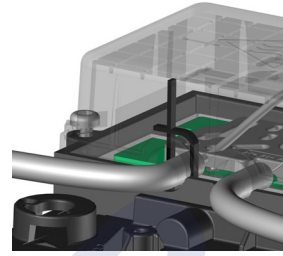
Max beam length = 2.5m

To access and make the high and low voltage connections, follow the steps below:

- Remove the 2 screws securing the cover.
- Remove the heater cover.
- Connect the power cables to the dedicated connections.
- Tighten the cable ties and make sure the cables are secure.
- Replace the cover.
- Screw it back in with the 2 starting screws.



To attach the power cables of the PTC resistor use the supplied cable ties; if it is necessary to replace them, use a cable tie with a working temperature range of -40 to +150°C .

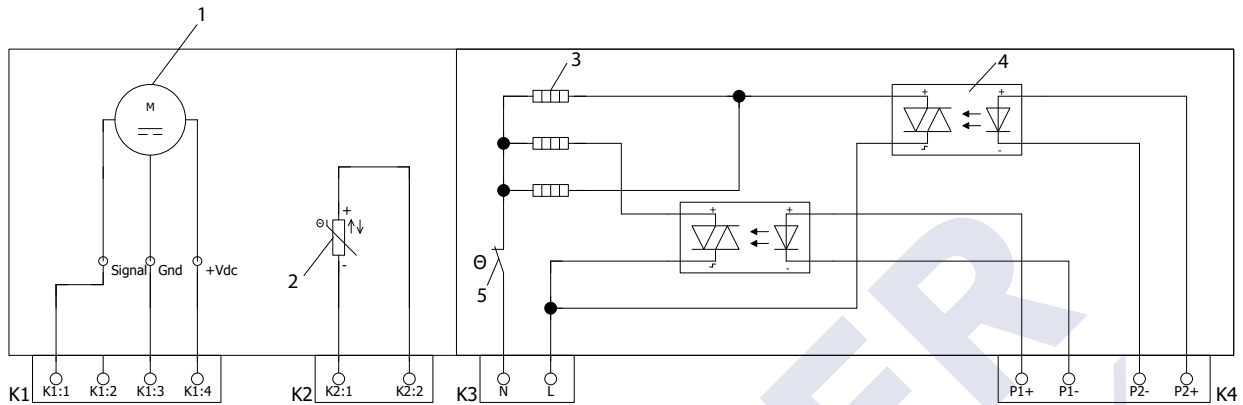


Tighten so that a 100N (10kg) pull can be achieved on the cable without any movement of the cable.
Check the general condition of the product and ensure its conformity before starting up.

Check that the PTC resistor cover is in place and in good condition at the end of the installation of the equipment.

Do not operate the equipment if the cover is missing or damaged.

6.9 Electrical diagram


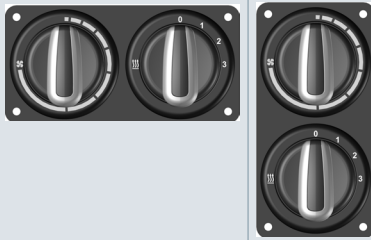


No	Description	No	Description
1	Fan	K1	Fan connector
2	Blowing probe	K2	Blowout probe connector
3	PTC element	K3	Power connection PTC resistor (230V / 110V)
4	Relay	K4	PTC resistor control connection (12V)
5	Thermal switch		

6.10 Command

Equipment is not included in the scope of supply.
Control equipment can be ordered separately.

6.10.1 Manual control

Part number	Description	Compatibility		Description	
		E-AIRTRONIC 230V	E-AIRTRONIC 110V		
830034015809	MANUAL CONTROL HARNESS KIT 230VAC E-AIRTRONIC 1	●		Manual control of ventilation (0-100%) and PTC resistance (3 stages). 2 knobs included.	
830034015814	MANUAL CONTROL HARNESS KIT 110VAC E-AIRTRONIC 1		●		
830034017953	CONTROL SUPPORT PLATE	●	●	Option: Provides an alternative ways of attaching the knobs.	

Note: Refer to instruction manual 8300401003300

6.10.2 Automatic control

Only in combination with an existing HMI (not supplied).

Part number	Description	Compatibility		Description
		E-AIRTRONIC 230V	E-AIRTRONIC 110V	
830060010033	KANBOX LIN K2907 EHV	●	●	Automatic cab temperature control based on a setpoint.
830070011037	PROBE 10KOHM EQUIPPED	●	●	Multiple modes available.

Note: Refer to instruction manual 8300401003280

7 Maintenance

The following maintenance checklist should be carried out by qualified personnel. The frequencies indicated are indicative and must be adapted according to the environment.

Contact your dealer in case of a failure detected during maintenance.

When working near accessible internal parts, please ensure that the product is switched off and has cooled sufficiently.

Frequency	E-AIRTRONIC
Every month	E-AIRTRONIC
Clean and/or replace the air filter(s) (see paragraph 6.6 for filter access).	●
Every six months	E-AIRTRONIC
Check that the fan(s) is (are) still able to operate.	●
Check the tightness of the various screws and fittings.	●
Check for corrosion of metal parts, housings, screws and inserts. Change these parts if necessary.	●
Check the integrity/tightness of all electrical parts: Power cables, grommets, connectors, terminals, fan, protective equipment such as thermal fuse of the fan... (non-exhaustive list).	●
Check that the PTC resistance thermal switch is working properly.	●
Check that the heat exchangers are not susceptible to clogging by dusty/polluted air.	●
Check that the PTC resistances are not susceptible to clogging by dusty/polluted air.	●
Blow dust out the PTC resistance cover compartment.	●
Every 16,000 operating hours:	E-AIRTRONIC
Replace the PTC.	●

8 Repair

When working near accessible internal parts, please ensure that the product is switched off and has cooled sufficiently.

Malfunction	Possible cause	Solution	E-AIRTRONIC
Poor ventilation	Clogged air intake	Check the air filter for dirt and replace if necessary	●
		Check the heat exchanger for dirt and clean if necessary	●
	Blowing out clogged air	Clean/clear and make accessible	●
	Fan off	Check the wiring harness connections	●
		Check the fuse and replace if necessary	●
	End of life of the fan	Contact your dealer, see the spare parts list for the part number to order	●
	Faulty instrumentation and control	Check the instrumentation and control and replace if necessary	●
Low or too high heat output	Faulty power supply	Check the fuse and replace if necessary	●
	Faulty PTC elements	Contact your dealer	●
	Faulty ventilation	See "Poor ventilation" malfunction	●
	Faulty instrumentation and control	Check the instrumentation and control and replace if necessary	●
	Faulty power supply	Check power supply and replace if necessary	●
	Blowout probe faulty	Contact your dealer	●
	Room sensor faulty (automatic control)	Contact your dealer	●
	Filter clogged	Clean or replace the filter	●
	Abnormal noise and/or vibration	Turn off the equipment and contact your dealer	●

9 CE - Declaration of conformity & Declaration of incorporation of a quasi-machine



Pusignan, 25/07/24

PART NUMBER 8300 40130096 0A / EN / 07.2024

CE - Declaration of conformity & Declaration of incorporation of a quasi-machine

The products of the family E-AIRTRONIC EHV

- are compliant with the directive CEM 2014/30/UE :
ISO 13766, EN 50498, EN 13309, EN 14982

The products are delivered with A CE marking for this purpose.

- Comply with the Machinery Directive 2006/42/CE Annex I paragraphs 1.1.5, 1.3.1, 1.3.2, 1.3.4, 1.5.10, 1.5.11, 1.7.1:
 - EN 60335-1, EN 60335-2-30

This equipment is partly completed machinery and must not be put into service until the final machinery into which it is to be incorporated has been declared to comply with the relevant provisions of the Machinery Directive 2006/42/CE

Eberspaecher Kalori undertakes, following a duly reasoned request from the national authorities, to transmit the relevant information concerning that partly completed machinery.

Technical Manager: Stéphanie LE FAUCHEUR - Engineering manager

BONTEMPS Olivier
General Manager

Eberspächer Kalori
ZI de Mariage - Voie E
69330 Pusignan
Phone +33 4 72931010
Fax +33 4 72931019
www.eberspaecher-kalori.com

Eberspächer Kalori S.A.S. au capital de 350 015€
SIRET 443 021 522 00018
APE 2932Z No intracommunautaire FR66 443 021 522
RCS LYON 443 021 522

10 UKCA - Declaration of conformity & Declaration of incorporation of a quasi-machine



Pusignan, 25/07/24

PART NUMBER 8300 40135096 0A / EN / 07.2024

UKCA - Declaration of conformity & Declaration of incorporation of a quasi-machine

The products of the family E-AIRTRONIC EHV

- **are compliant with the directive** "Electromagnetic Compatibility Regulations 2016" : ISO 13766, EN 50498, EN 13309, EN 14982

The products are delivered with A UKCA marking for this purpose.

- **Comply with Annex I paragraphs 1.1.5, 1.3.1, 1.3.2, 1.3.4, 1.5.10 , 1.5.11, 1.7 of the Directive machine**"Supply of Machinery (Safety) Regulations 2008":
 - EN 60335-1, EN 60335-2-30

This equipment is partly completed machinery and must not be put into service until the final machinery into which it is to be incorporated has been declared to comply with the relevant provisions of the Machinery Directive "Supply of Machinery (Safety) Regulations 2008"

Eberspaecher Kalori **undertakes, following a duly reasoned request from the national authorities, to transmit the relevant information concerning that partly completed machinery.**

Technical Manager: Stéphanie LE FAUCHEUR - Engineering manager

BONTEMPS Olivier
General Manager

Eberspächer Kalori
ZI de Mariage - Voie E
69330 Pusignan
Phone +33 4 72931010
Fax +33 4 72931019
www.eberspaecher-kalori.com

Eberspächer Kalori S.A.S. au capital de 350 015€
SIRET 443 021 522 00018
APE 2932Z No intracommunautaire FR66 443 021 522
RCS LYON 443 021 522



Eberspaecher Kalori SAS
ZI de Mariage - Voie E
69330 Pusignan
France
info.kalori@eberspaecher.com
www.eberspaecher-kalori.com