

EN / HEATER AND AC SYSTEM / TECHNICAL DOCUMENTATION

SPARE PARTS LIST E-AIRTRONIC EHV

This spare parts list is valid for the following products:

Model

E-AIRTRONIC EHV1 230V GDF
E-AIRTRONIC EHV1 110V GDF

Part number

8300 12042001
8300 12042004

1 INFORMATION

1.1	General information	3
1.2	Reference documents	3
1.3	Determining the quantity required for the order	3
1.4	Unavailable component	3
1.5	Specifications	3
1.6	Using the nameplate to determine the serial number and production date	3

2 E-AIRTRONIC EHV

2.1	Spare part diagram	4
2.1.1	E-AIRTRONIC	4
2.1.2	Diffuser	5
2.2	Spare part list	6

3 ACCESSORIES

3.1	Spare part diagram	7
3.2	Spare part list	8

1 Information

1.1 General information

This document is to be used when ordering spare parts for the units listed on the title page, to the exclusion of all liability claims. Depending on the version or revision status of the unit, differences may occur compared to this documentation. Please check this before ordering the spare parts and take any possible differences into account

1.2 Reference documents

Instruction manual

Describes the function and proper installation and contains all information necessary for safe operation of the unit.

Repair instructions

Contains the necessary information for troubleshooting and for repair of the unit.

1.3 Determining the quantity required for the order

The information in the "quantity per unit" and "quantity per SU" (sales unit) columns is used to determine the quantity of a spare part required and the SU (sales units) to be ordered.

Quantity per unit

The number in this column indicates how many of the spare part concerned are installed in the whole unit

1.4 Unavailable component

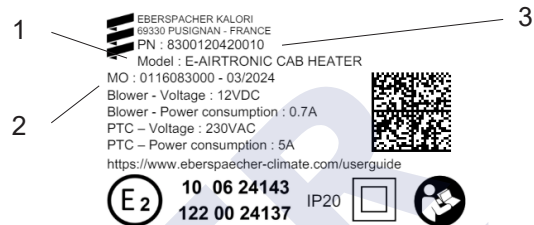
The component not listed cannot be ordered. These components can be not specifics components or component with a specific assembly or with an important risk.

1.5 Specifications

Some components must be replaced with others parts. These parts are specified under component with italics script.

1.6 Using the nameplate to determine the serial number and production date

To place the spare parts order correctly, in some cases it is necessary to determine the production date of the product before ordering the spare part.



1 Model

- Name and designation of product with specification:
EHV = Electric Heater Ventilation
HV = Heater Ventilation
AC = Air Conditioning

2 Manufacturing Order

- The first numbering is the manufacturing number code.
- The date is indicated as a week number of a year.

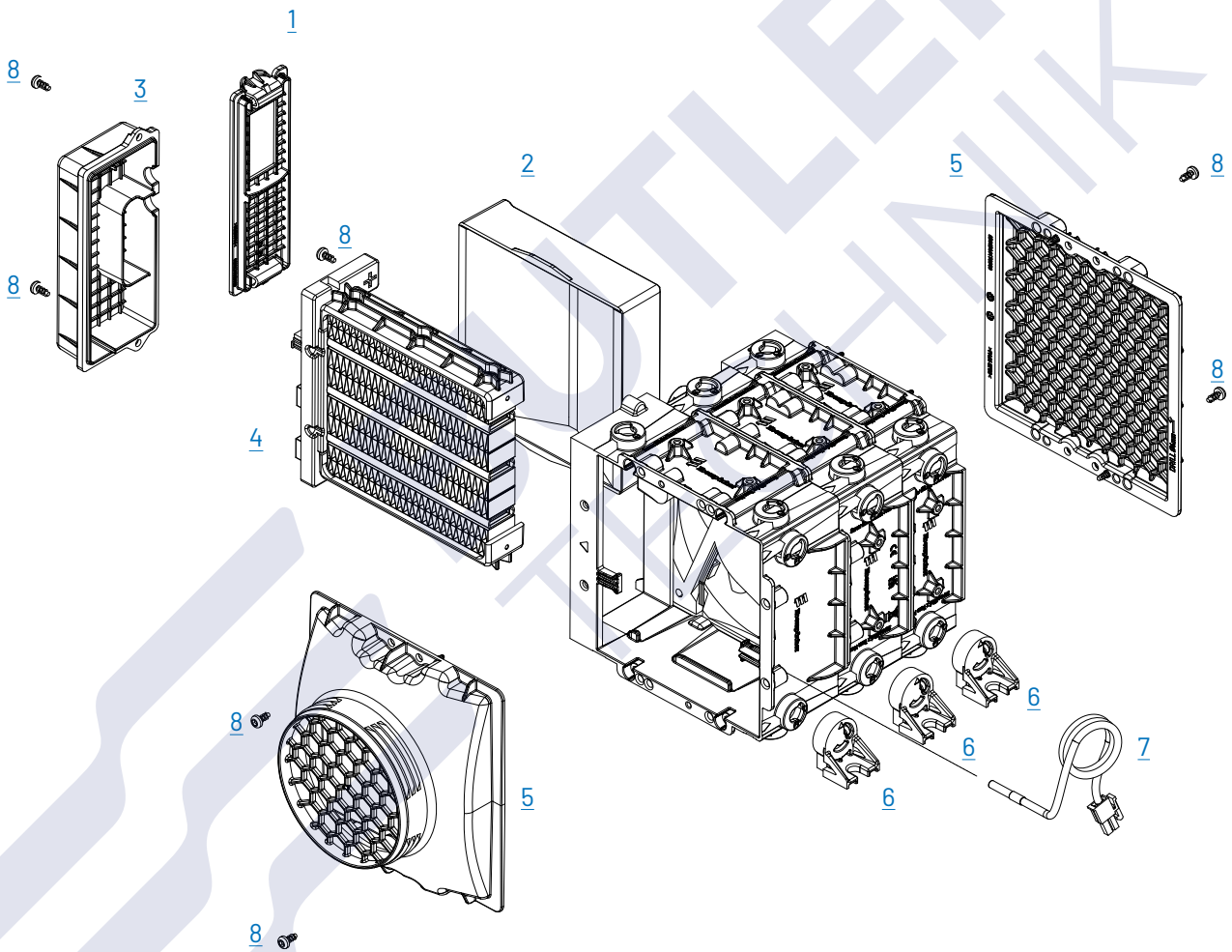
3 Part Number

- 8300xxxxxxx0 is the serial number of the product.

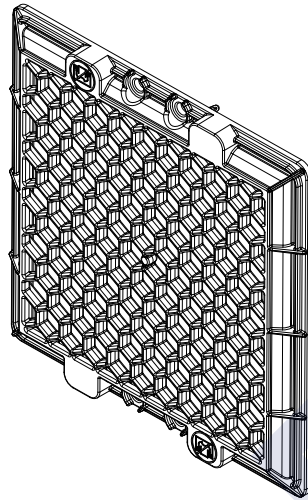
2 E-AIRTRONIC EHV

2.1 Spare part diagram

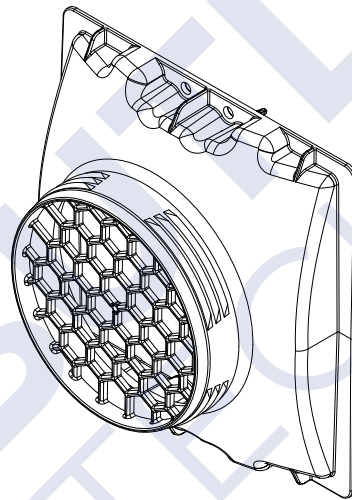
2.1.1 E-AIRTRONIC



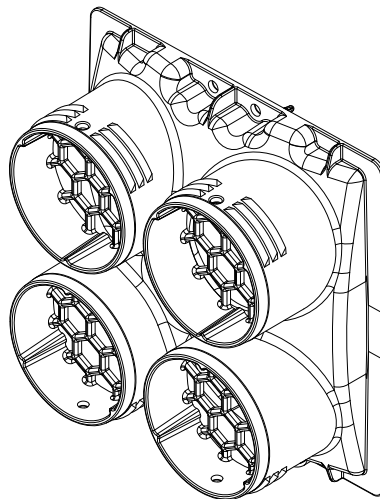
2.1.2 Diffuser



5.1



5.2



5.3

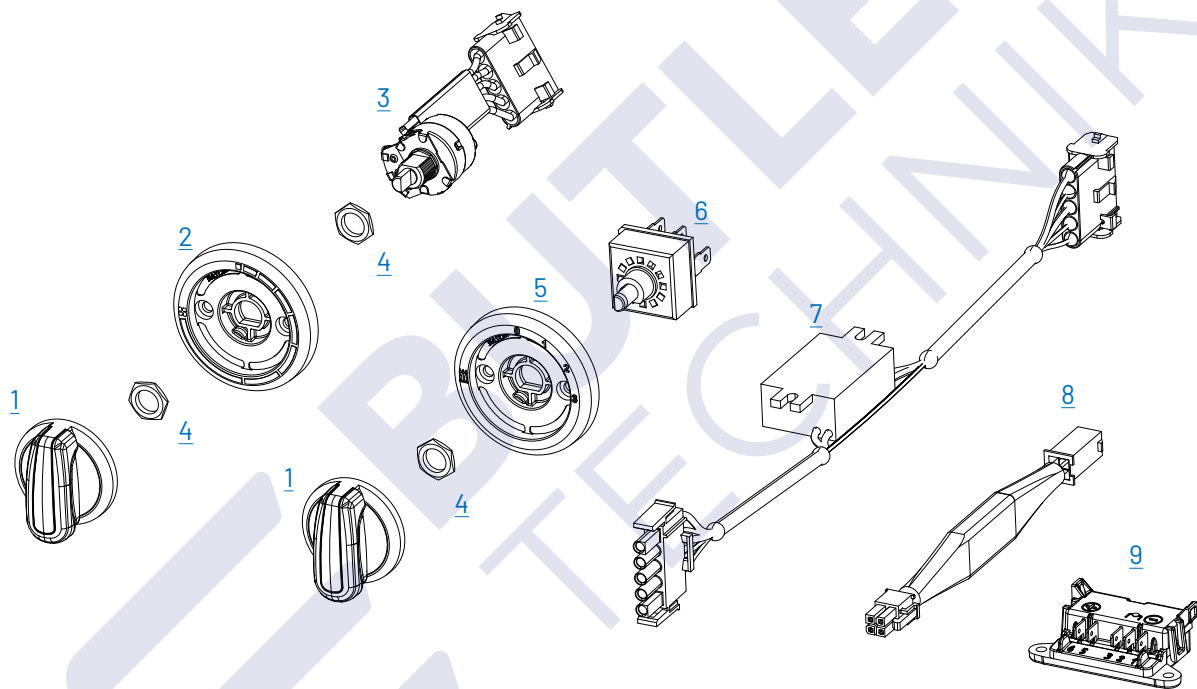
2.2 Spare part list

Item No.	Designation	Order No. (VE)	For device	
			8300 12042001	8300 12042004
1	Filter cover	8399 34017887	•	•
2	Filter	8399 34070257	•	•
3	PTC cover Include item 8	8399 34017892	•	
		8399 34017906		•
4	PTC Heater Include item 8, 9	8399 34090600	•	
		8399 34090601		•
5	Diffuser Include item 8	See item 5.1, 5.2, 5.3		
5.1	Grid	8399 34017894	•	•
5.2	ED1	8399 34017893	•	•
5.3	ED4	8399 34017956	•	•
6	KIT Bracket Include 4x item 6	8399 34017895	•	•
7	Temperature sensor Include item 9	8399 70011025	•	•
8	Screw Ø3.5x8 TCB TX15 Include 2x item 8	8399 34015249	•	•
(9)	High temperature plastic collar	8399 34015609	•	•

(x) Item not represented on diagram

3 Accessories

3.1 Spare part diagram



3.2 Spare part list

Item No.	Designation	Order No. (VE)	For device	
			8300 12042001	8300 12042004
1	Button K12 Satin Chrome	8399 34030286	•	•
2	Ventilation shell 0-100%	8399 34030331	•	•
3	Potentiometer with ON/OFF position	8399 34030265	•	•
4	Flat nut	8399 34005706	•	•
5	Heater shell 3 steps	8399 34030330	•	•
6	4 Speed switch Include item 4	8399 34030005	•	•
7	PCK3 harness converter	8399 34015787	•	•
8	Diode Bridge	8399 34015810	•	•
9	Blowing thermostat	8399 70011046	•	•
(10)	Harness E-AIRTRONIC manual control	8399 34015818	•	
		8399 34015817		•

(x) Item not represented on diagram

