



**Eberspächer**

EBERSPACHER (UK) LTD  
Independent Vehicle &  
Marine Heating Division  
Headlands Business Park  
Salisbury Road, Ringwood  
Hampshire BH24 3PB  
Telex: 41490 EBERUK G

Our ref      Your ref      Tel (0425) 480151  
MPD/SD

Fax (0425) 480152

Date  
3rd June 1992

**TECHNICAL BULLETIN NO. 97**

**Re: ELECTRONIC THERMOSTAT MK2 WIRING DIAGRAM**

Please find attached wiring diagram numbers SK 0394 and SK 0393 for the MK2 (301) type electronic thermostats:

Part number            301 00 132 12 volts  
                                 301 00 133 24 volts

Wiring diagram number SK 0394 shows connections for D1L, D3L (25 1640 01 and 25 1641 01 models only), D4L, D7L and D12L heaters when switching is required from full heat to OFF. Please note that the link wire must be inserted to bridge terminals 6 and 7 when used for positive polarity switching as above.

Wiring diagram number SK 0393 shows connection for D3L (25 1640 and 25 1641 models only), D4L, D7L and D12L heaters when thermostat switching is required from full to HALF heat. Please note that the link wire must be inserted to bridge terminals 5 and 6 when used for negative switching polarity on D4L, D7L and D12L heaters. For D3L heaters only, switching from full heat to half heat the link wire must bridge terminals 6 and 7 i.e. positive polarity.

Regards

**M P DONOHOE**  
**SALES ENGINEERING MANAGER**

J. Eberspächer  
Esslingen  
W. GERMANY

Eberspächer KG,  
Neunkirchen  
W. GERMANY

Eberspächer  
1930 Zaventem  
BELGIUM

Eberspächer  
Ges.m.b.H  
AUSTRIA

WEMA AG.  
SWITZERLAND

Svenska  
Eberspächer AB.  
SWEDEN

Société Visama  
S.A.R.L.  
FRANCE

Schneebeli-  
Chabaud S.A.  
FRANCE

Compagnie  
Industrielle de  
l'Aisne S.A.R.L.  
FRANCE

Espar Products Inc.  
CANADA

Espar Inc., USA

SK 0393

TECH BULLETIN 97.

TITLE: EBERSPACHER ELECTRONIC THERMOSTAT MK II

HEATER MODEL: PART NO: 301 00 132 - 12 VOLT  
301 00 133 - 24 VOLT



WIRING CONNECTIONS FOR D3L, D4L, D7L, D12L HEATERS

THERMOSTAT SWITCHING FROM FULL TO HALF

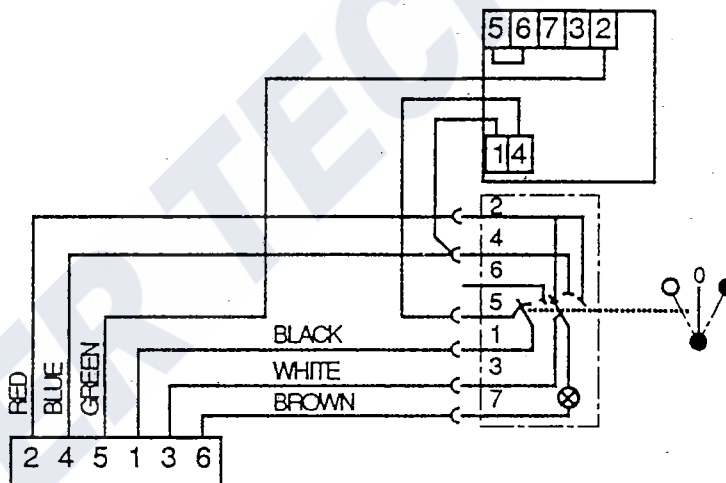
IMPORTANT

D4L, D7L, D12L are negative switching for full heat to half heat  
Check link wire is fitted between terminal N° 5 & 6 (negative polarity)

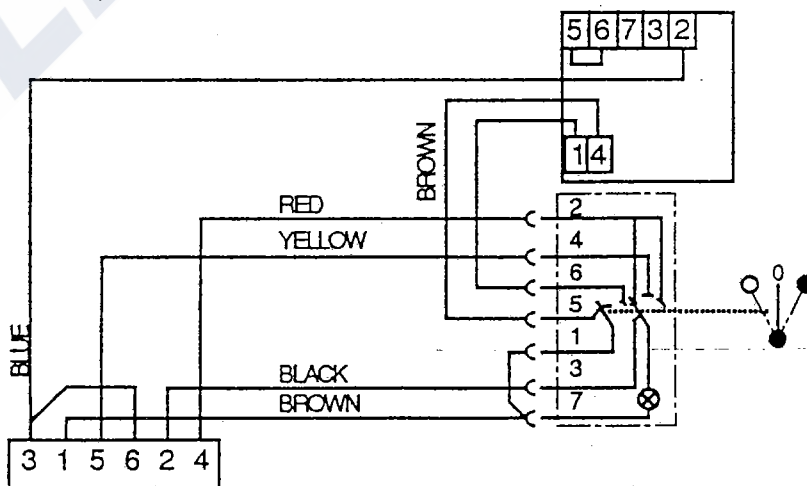
RED L.E.D. INDICATES FULL HEAT

GREEN L.E.D. INDICATES HALF HEAT

D7L /12L WIRING DIAGRAM



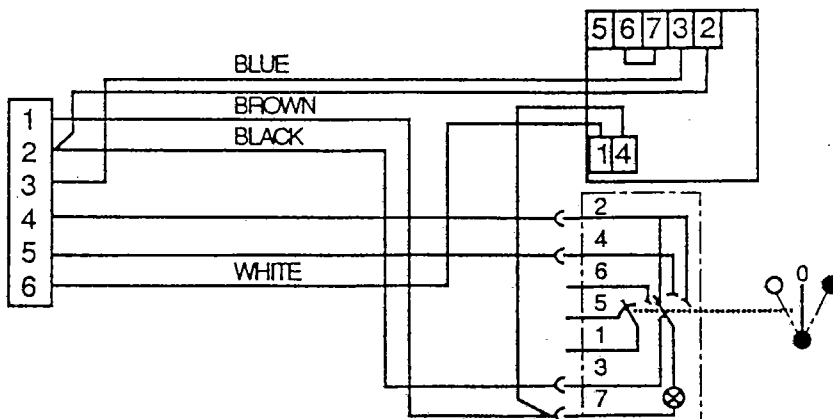
D4L WIRING DIAGRAM



D3L WIRING DIAGRAM (25 1640/41)

Thermostat switching of D3L is positive switching from full to half heat.

Check link wire is fitted between terminal N° 6 -7 (positive switching)



SK 0394

TECH BULLETIN 97.

TITLE: EBERSPACHER ELECTRONIC THERMOSTAT MK II



Eberspächer

HEATER MODEL: PART NO: 301 00 131/2 - 12 VOLT  
301 00 133 - 24 VOLT

WIRING CONNECTIONS FOR D1L, D3L, D4L, D7L, D12L HEATERS

THERMOSTAT SWITCHING FROM FULL TO OFF

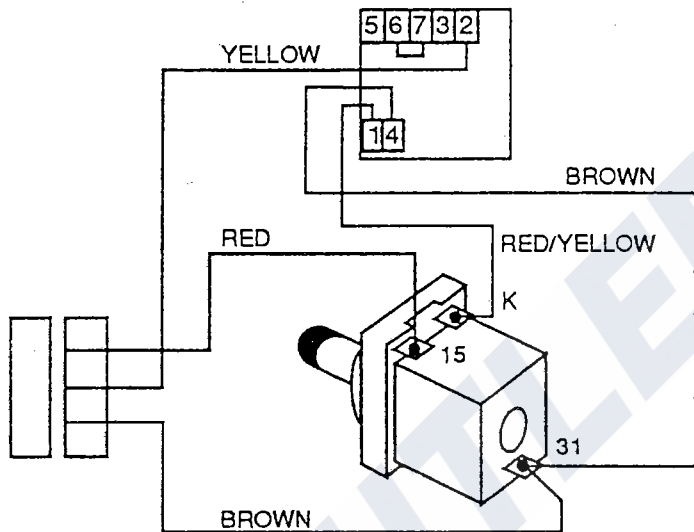
IMPORTANT

D1L, D3L (25 1640/41), D4L, D7L, D12L are positive switching for full to off.  
Check link wire is fitted between terminal N° 6 & 7 (positive polarity)

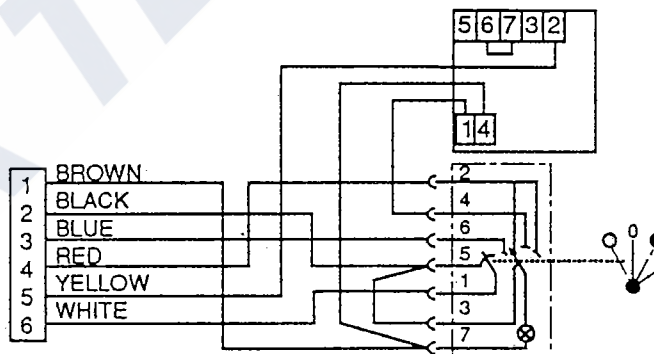
RED L.E.D. INDICATES FULL HEAT

GREEN L.E.D. INDICATES HALF HEAT

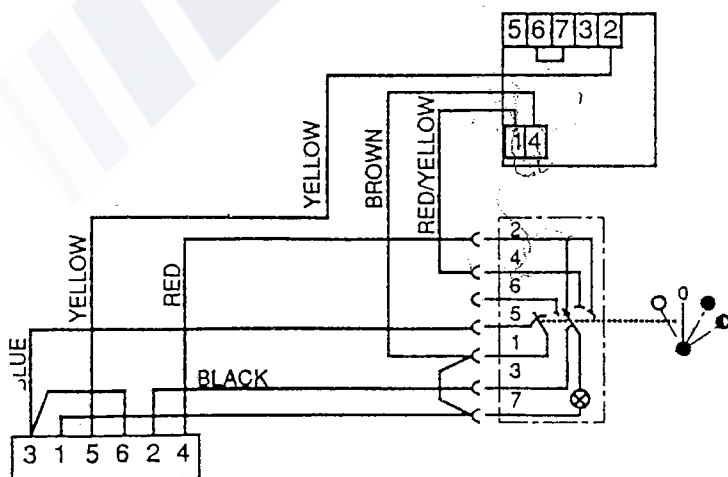
D1L WIRING DIAGRAM



D3L WIRING DIAGRAM



D4L WIRING DIAGRAM



D7L WIRING DIAGRAM

